



MONO SOLAR MODULE 125'100W-36V

Product Specifications

Type Of Module	SY-100WM
Maximum Power (W)	100
Tolerance (%)	± 3%
Open Circuit Voltage (V)	43.9
Short Circuit Current (A)	3.1
Maximum Power Voltage (V)	36
Maximum Power Current (A)	2.78
Module Efficiency (%)	15.3
Solar Cell Efficiency (%)	18.4
Series Fuse Rating (A)	15
Terminal Box	IP65
Maximum system voltage (V)	DC1000
Operating Temperature(@)	-40@ ---85@



Product Feature

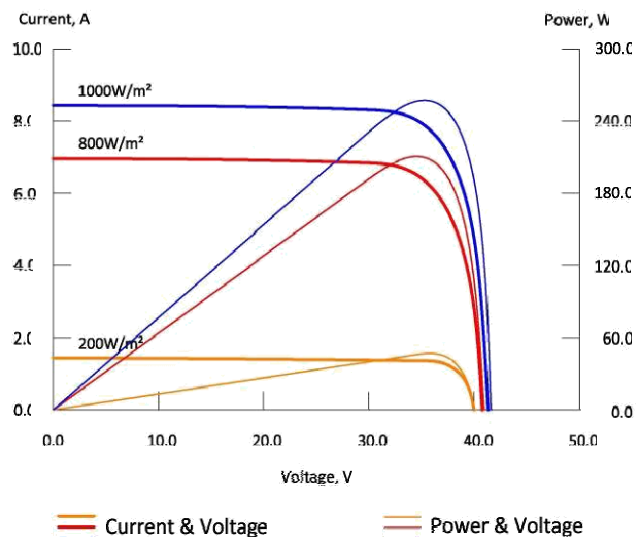
- Bypass diode minimizes the power drop by shade.
- The conversion efficiency of solar cell is above 16.8%.
- White tempered glass, EVA resin, weather proof film and anodized aluminum frame to provide efficient protection from the severest environmental conditions.
- Waterproof and perfect for grid applications.
- Product guarantee: 5 years.

Quality Assurance

- Electrical Insulation test
- Outdoor exposure test
- Hot-spot endurance test
- UV-exposure
- Thermal cycling test
- Humidity freeze test
- Damp heat Test
- Robustness of terminations tes
- Wet leakage current test
- Mechanical load test
- Hail impact test
- Bypass diode thermal test

Electrical Characteristics

Current-Voltage & Power-Voltage characteristics various irradiance levels



Electric Performance Typical Performance Characteristics		
Short Circuit Current Temperature Coefficient	mA/C	+2.5
Open Circuit Voltage Temperature Coefficient	V/C	-0.147
Maximum Power Temperature Coefficient	%/C	-0.4
Performance Warranty : 90%output , 12 years 80%output, 25 years		

Physical Specifications

Dimension: 1210*540*35MM

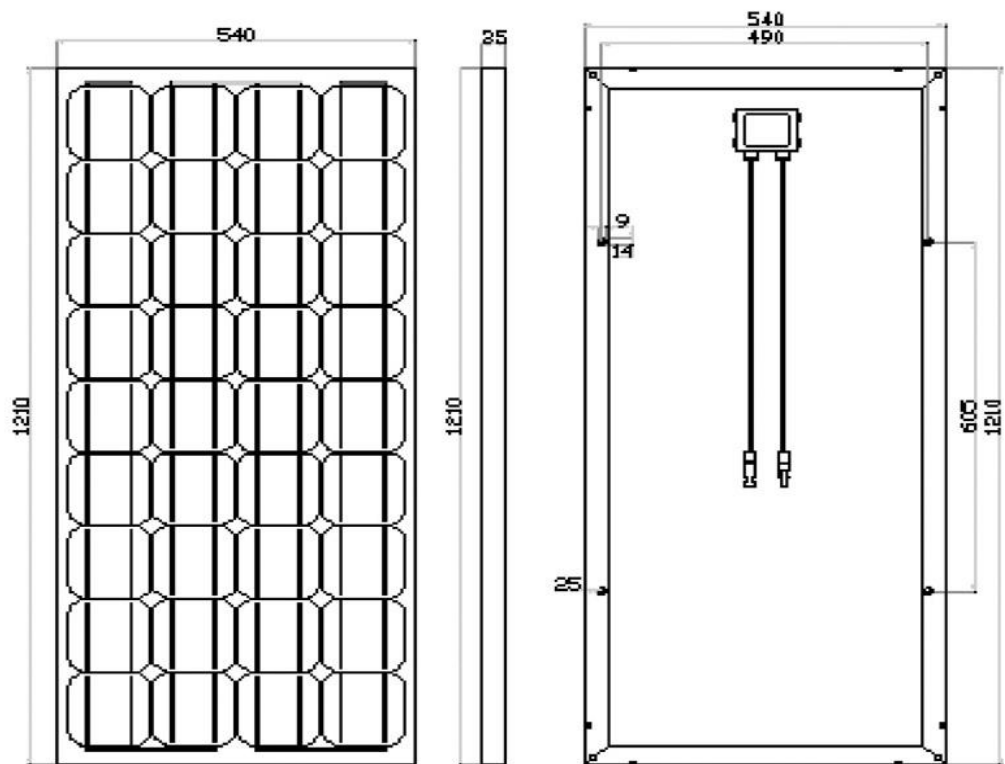
Weight: 9KG/PCS

Packing: 2pcs in one carton

Loading Capacity:

648pcs/ 20' Container

1458pcs/ 40' Container



JCI Solar
 Tel: +27 (021) 552 3394
 Fax: +27 (021) 552 3794
 Email: info@jcisolar.co.za